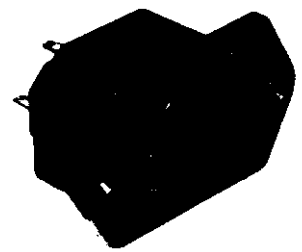
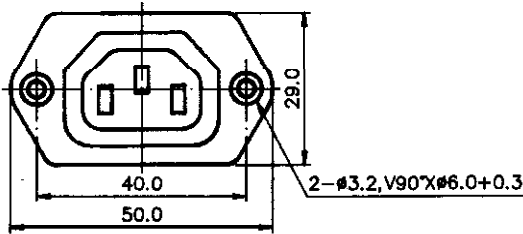


SPECIFICATION:

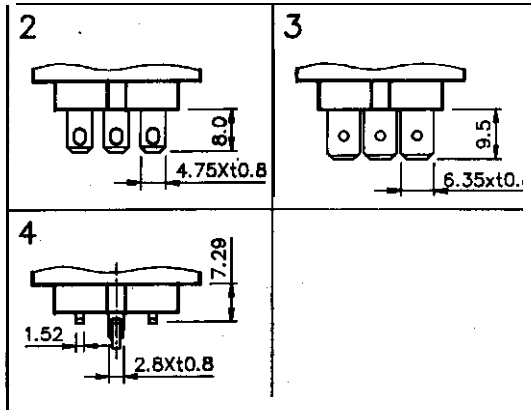
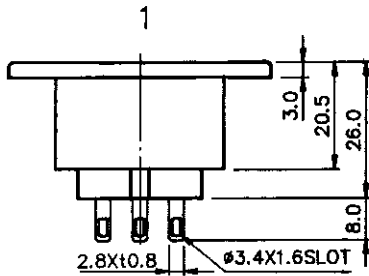
1. RATING : 10A 250VAC (UL, CSA)
10A 250V~ (VDE)
2. INSULATION RESISTANCE : DC 500V 100MΩ OR MORE
3. WITHSTAND VOLTAGE : 2000V RMS 50/60Hz 1 Min.



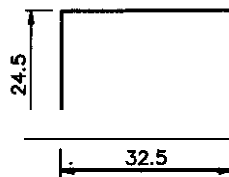
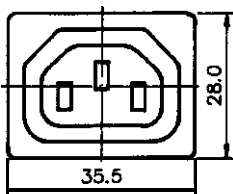
MODEL NO. : 3520



TERMINAL'S TYPE	
1	SOLDER TERMINAL
2	QUICK TERMINAL
3	QUICK TERMINAL
4	PC TERMINAL (90°)



MODEL NO. : 3521



MOUNTING HOLE
PANEL THICK: 1.0, 1.2, 1.5, 2.0

TERMINAL'S TYPE	
1	SOLDER TERMINAL
2	QUICK TERMINAL

