

TOGGLE (SNAP) SWITCH

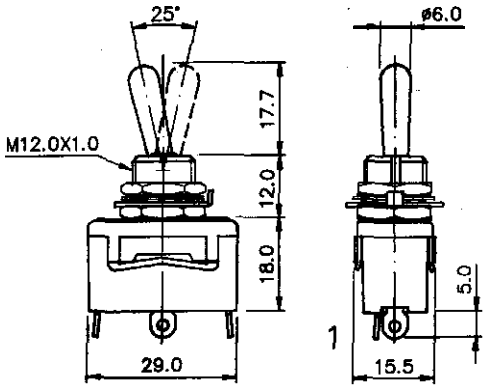
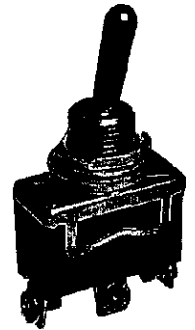
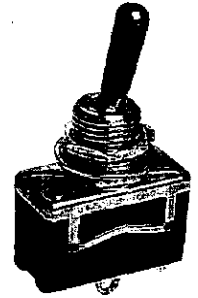


SPECIFICATION:

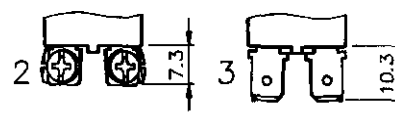
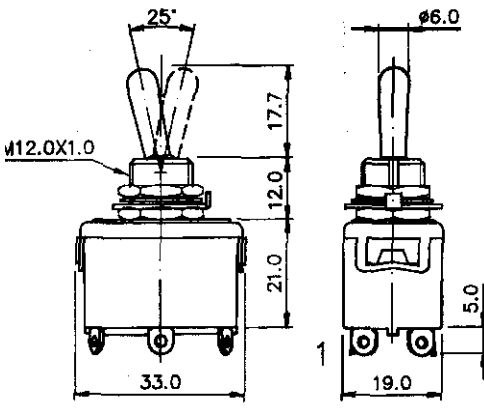
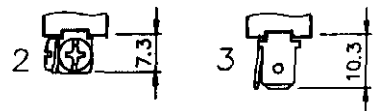
1. RATING : 10A 250VAC, 15A 125VAC (UL, C-UL)
20A 125/250VAC
2. INSULATION RESISTANCE : DC 500V 200MΩ OR MORE
3. CONTACT RESISTANCE : DC 2-4V IA 20mΩ OR LESS
4. WITHSTAND VOLTAGE : AC 1500V OR MORE

RL RL

701 X SERIES

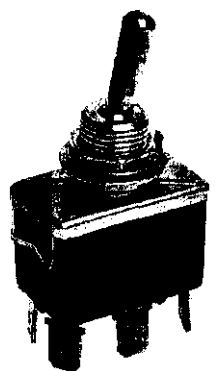
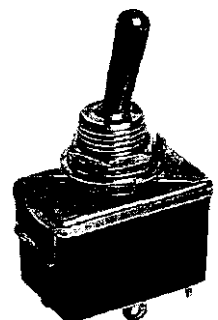


TERMINAL'S TYPE	
1	SOLDER TERMINAL
2	SCREW TERMINAL
3	QUICK TERMINAL



RL RL

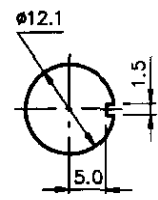
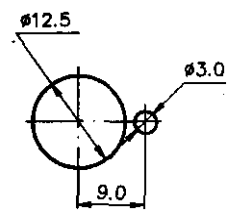
702X SERIES



SWITCH FUNCTION

(): MOMENTARY

MODEL NO.	KEY WAY	KEY WAY	KEY WAY	OPERATIONS
7011	ON	—	OFF	SPST
7012	ON	—	ON	SPDT
7013	ON	OFF	ON	SPDT
7014	(ON)	OFF		SPST
7015	ON	—	(ON)	SPDT
7016	(ON)	OFF	(ON)	SPDT
7017	ON	OFF	(ON)	SPDT
7021	ON	—	OFF	DPST
7022	ON	—	ON	DPDT
7023	ON	OFF	ON	DPDT
7024	(ON)	OFF		DPST
7025	ON	—	(ON)	DPDT
7026	(ON)	OFF	(ON)	DPDT
7027	ON	OFF	(ON)	DPDT



PANEL LAYOUT